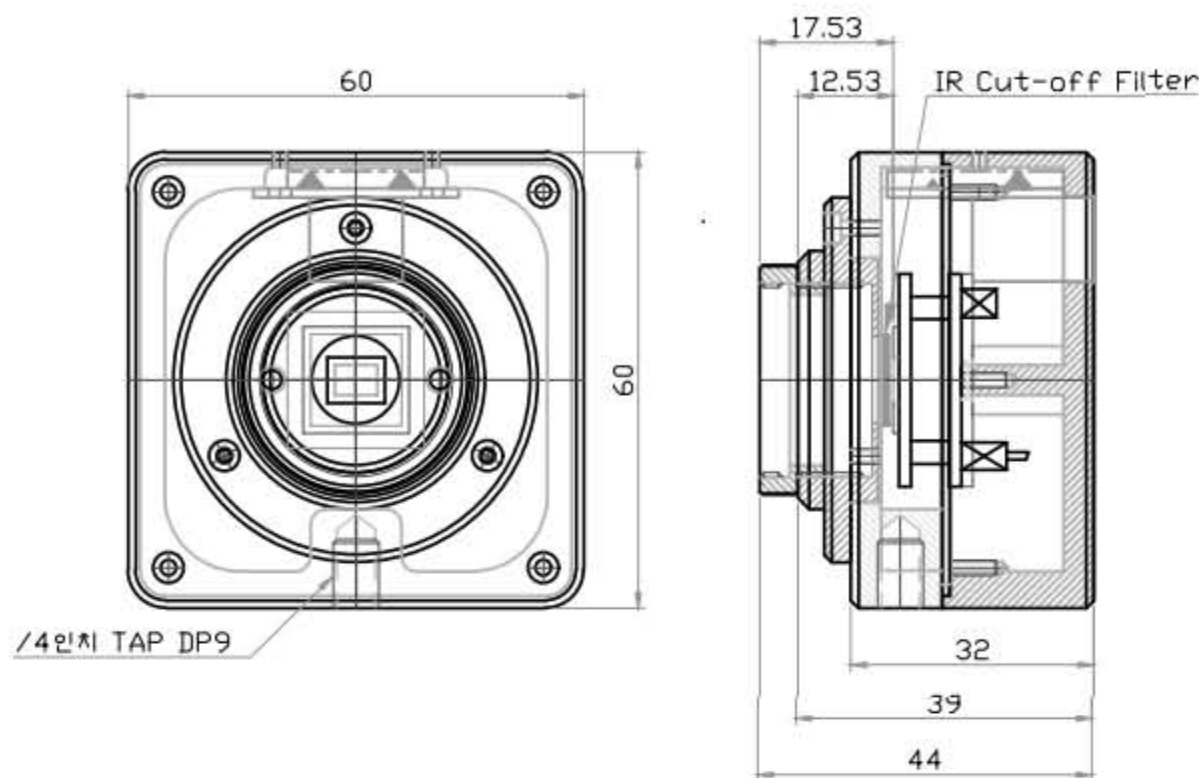


2Megapixel Digital Camera_USB2.0



Model	HD-200
Sensor	2.1M Pixel 1/2.8" Sony Color
Pixel size	2.9x2.9um
Active imager size	5.73x4.30 mm
Shutter Type	Electronic rolling shutter (ERS)
ISP	Hardwired ISP Support
Frame Rate	15fps at full resolution (4~6fps, transmission frames) Max 30fps at VGA resolution, with binning
Recoding size	38@1920x1080
Output Data format	YUV 4:2:2, 8bit data
Image Control	Brightness control, Saturation, Shading, Gamma correction, Contrast
White balance	Auto, 6500K, 5500K, 4500K, 2800K, Lock RGB gain control
Exposure	Auto, Manual setting(Lock) Shutter speed : 1/5s, 1/7.5s, 1/10s, 1/15s, 1/30s Gain : User setting
Flicker	Auto, 60Hz, 50Hz, Manual setting
Image mode	Backlight, Flip, Mirror, Privacy
Effect	Normal, Mono, Sepia, Negative
User setting	Save & load support
Lens Mount	C-Mount(25.4mm)
OS & Interface	Win7, Win10, Win11 USB 2.0 interface
Consumption	UXGA @205mW, VGA 30fps @ 280mW
Temperature	Operating : -20°C ~ +60°C Storage : -30°C ~ +80°C
Size & Weight	60x60x44mm / 230g

